

**JUMO GmbH & Co. KG**  
 Delivery address: Mackenrodtstraße 14  
 36039 Fulda, Germany  
 Postal address: 36035 Fulda, Germany  
 Phone: +49 661 6003-0  
 Fax: +49 661 6003-607  
 E-mail: mail@jumo.net  
 Internet: www.jumo.net

**JUMO Instrument Co. Ltd.**  
 JUMO House  
 Temple Bank, Riverway  
 Harlow, Essex CM20 2DY, UK  
 Phone: +44 1279 635533  
 Fax: +44 1279 635262  
 E-mail: sales@jumo.co.uk  
 Internet: www.jumo.co.uk

**JUMO Process Control, Inc.**  
 6733 Myers Road  
 East Syracuse, NY 13057, USA  
 Phone: 315-437-5866  
 1-800-554-5866  
 Fax: 315-437-5860  
 E-mail: info.us@jumo.net  
 Internet: www.jumousa.com



# JUMO mTRON T Measuring, Control, and Automation System

## Central processing unit

### Brief description

The central processing unit is the heart of the system. It contains the process image of the application and manages the configuration and parameter data of the complete system (except for the multifunction panel).

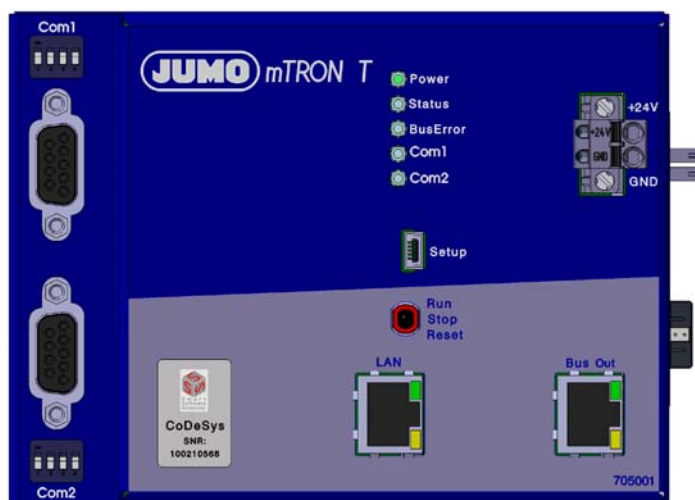
For individual control tasks nine program generators (option) are available and 64 limit values can be monitored.

LEDs are used to indicate applied voltage supply, the operating status of the PLC, system malfunctions, as well as the communication through interfaces.

A USB device interface (setup), a LAN connection (Ethernet), and two system bus connections are available as standard. Up to two interfaces can be optionally equipped for fieldbus applications.

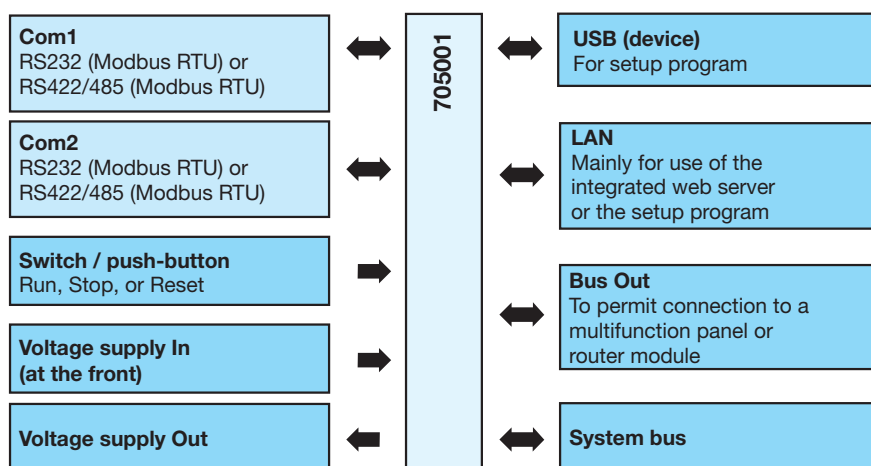
The central processing unit, the input/output modules connected laterally, and modules integrated by a router are comfortably configured and parameterized with the setup program.

A PLC according to IEC 61131-3 can be released as an option. A switch is available to toggle the system operating status (Run, Stop, and Reset).



Type 705001/...

### Block diagram



### Features

- Process image for up to 30 input/output modules
- Ethernet interface with integrated web server
- One USB interface
- 64 limit values can be monitored
- PLC acc. to IEC 61131-3 (option)
- Nine program generators (option)
- Two field bus interfaces (option)
- Math and logic module (option, activation for all connected controller modules)
- System bus connection on the front (Bus Out)
- Plug and Play when replacing the input/output modules
- Battery buffered RAM
- Real time clock
- Sturdy metal case
- Supply of operating voltage
- Quick wiring of operating voltage and system bus due to easy module connection

Approval/approval marks (see "Technical data")



**JUMO GmbH & Co. KG**

Delivery address: Mackenrodtstraße 14  
36039 Fulda, Germany  
Postal address: 36035 Fulda, Germany  
Phone: +49 661 6003-0  
Fax: +49 661 6003-607  
E-mail: mail@jumo.net  
Internet: www.jumo.net

**JUMO Instrument Co. Ltd.**

JUMO House  
Temple Bank, Riverway  
Harlow, Essex CM20 2DY, UK  
Phone: +44 1279 635533  
Fax: +44 1279 635262  
E-mail: sales@jumo.co.uk  
Internet: www.jumo.co.uk

**JUMO Process Control, Inc.**

6733 Myers Road  
East Syracuse, NY 13057, USA  
Phone: 315-437-5866  
1-800-554-5866  
Fax: 315-437-5860  
E-mail: info.us@jumo.net  
Internet: www.jumousa.com



## Description

### Setup program

The setup program is installed on a PC and connected to the base unit (central processing unit) or the multifunction panel via USB or LAN interface. That way the entire system can be comfortably configured, parameterized, and operated.

The setup data is transmitted to the up to 30 connected input/output modules (system bus).

General setup data and functions:

- Hardware configuration of the entire system
- Selection and editing of the operating languages
- Configuration and parameterization of the input and output modules
- Configuration of the central processing unit and the multifunction panel
- Configuration and programming of the PLC
- Program editor for 99 programs
- Configuration of the 9 program generators
- Configuration of the recording and the batch reporting
- Editor for customer-specific process images

### Limit value monitoring

With the limit value monitoring one input variable can be monitored compared to a fixed limit value or a different variable. 64 limit values can be monitored in this way and for each limit value monitoring eight different alarm functions are available. The configuration is carried out in the setup program or with the multifunction panel.

Even extensive functions can be realized due to additional parameters such as position and value of the switching differential, switch ON/OFF delay, pulse function, acknowledgement type, and startup alarm suppression. The startup alarm suppression can, for example, be used to prevent the limit value monitoring function to be tripped during the process start-up phase.

### Event list

The event list contains all events that occurred in the system including date and time. This includes system messages (configuration changes of a module, mains OFF/ON of the central processing unit), general events (sending an e-mail), malfunctions (module errors, communication malfunction), alarms, and collective alarms.

The list contains the last 150 events and can be invoked as text in the set language via web server and on the multifunction panel. In the event of a mains failure, the event list remains saved.

### Event texts

The setup program can be used to define up to 250 event texts, each with a length of up to 31 characters. This way, customized event messages can be created.

### Interfaces

The following interfaces are available:

- USB device to connect a PC (e.g. for the setup program)
- LAN (Ethernet) (HTTP or Modbus/TCP as master/slave)
- Serial RS232 (Modbus RTU as master/slave)
- Serial RS422/485 (Modbus RTU as master/slave)
- Bus Out (at the front) to connect a router module or multifunction panel via network cable

### External signals

External input signals (variables) can be transmitted to the system via the fieldbus interfaces and the LAN interface (Modbus/TCP) in addition to the internal input signals. As a result, up to 64 analog variables, up to 64 integer variables, and up to 64 digital variables as well as up to 9 text variables are available.

### Web server

The central processing unit serves as web server and thereby offers the option to comfortably access the system via LAN using a PC (web browser). This access method provides the following information:

- Process values
- Event list

Access can be protected by a password.

### Alarm transmission by e-mail

Alerts can be sent by e-mail to three addresses simultaneously via a mail server. Up to five alarm texts can be configured; sending is controlled via binary signals.

If special e-mail addresses that forward to mobile phones (text messaging) or fax machines are provided in the company network, alerts can also be transmitted using these communication channels.

### Program generator

Nine independent program generators are available as an option so that nine programs can run asynchronously and independently from each other. A total of 99 programs can be managed in a program pool.

The program editor, which is part of the setup program and the multifunction panel, can be used to create a program.

Each program can consist of up to three program channels with four setpoint values and 16 control contacts. Up to 99 program sections are possible. A tolerance band monitoring can be set for the first set point value of each program channel.

A program can be started, stopped, and aborted by an action on the multifunction panel, a binary signal, or via the PLC. Toggling between the program sections is possible as well. A program can also be started by setting default dates and times. The individual program channels of a program are synchronously started.

The program is completed when all program channels of the program are completed. If a program channel is prematurely completed, its setpoint values and control contacts are set to a defined value (basic status).

For manual mode, separate setpoint values and control contacts can be defined per program channel (basic status). The setpoint values can be adjusted through the multifunction panel.

The behavior after a mains interruption can be configured (e.g. program abort, continued run, or continuation/abort via multifunction panel).

### PLC function

The PLC function (option) is a fully adequate PLC which can be used to read all inputs and to write to all outputs of the modules in the system. A library with predefined function modules and data types including their documentation is available to the user.

For programming a control application, all editors defined in the IEC 61131-3 standard are provided:

- Structured text (ST)
- Sequential function chart (SFC)
- Continuous function chart (CFC)
- Function block diagram (FBD)
- Ladder diagram (LD)
- Instruction list (IL)

Furthermore, a large number of functions are implemented which can be used to quickly and efficiently debug, test, and start up the application.

In addition, the user has the following functions and possibilities when using the PLC:

- Generation of events saved in the event list of the central processing unit
- Configuration of all system modules
- Process mask control of the multifunction panel

The PLC programming system is started from the setup program. Information about the system hardware (modules) is automatically loaded into the PLC programming system. The user can assign machine specific names to process data so that working with the PLC is more comfortable.

**JUMO GmbH & Co. KG**

Delivery address: Mackenrodtstraße 14  
36039 Fulda, Germany  
Postal address: 36035 Fulda, Germany  
Phone: +49 661 6003-0  
Fax: +49 661 6003-607  
E-mail: mail@jumo.net  
Internet: www.jumo.net

**JUMO Instrument Co. Ltd.**

JUMO House  
Temple Bank, Riverway  
Harlow, Essex CM20 2DY, UK  
Phone: +44 1279 635533  
Fax: +44 1279 635262  
E-mail: sales@jumo.co.uk  
Internet: www.jumo.co.uk

**JUMO Process Control, Inc.**

6733 Myers Road  
East Syracuse, NY 13057, USA  
Phone: 315-437-5866  
1-800-554-5866  
Fax: 315-437-5860  
E-mail: info.us@jumo.net  
Internet: www.jumousa.com



## Technical data

### Interfaces

USB device Connector designation Connector type Number Application Max. current	Setup Mini-B 1 Connection to a PC (setup program) 100 mA
System bus Out Connector designation Connector type Number Application Connection cable Cable length	Bus Out RJ45 1 Connection of a router module or a multifunction panel Network cable (patch or crossover cable), at least CAT5 (S/FTP) Up to 100 m
Ethernet Connector designation Connector type Number Application Protocol Transfer rate	LAN RJ45 1 Communication with PC (setup program, web server), e-mail server, and Modbus master/slave TCP/IP, HTTP, DHCP, SMTP+POP3, Modbus/TCP 10 Mbit/s, 100 Mbit/s
RS232 or RS422/485 (serial interfaces) Connector designation Connector type Number Application Protocol Baud rate	Depending on the device type COM1 and COM2 D-Sub 2 Fieldbus applications, communication via modem with a PC (setup program) or with an e-mail server Modbus RTU (master or slave) 9600, 19200, 38400

### Electrical data

Voltage supply Connection Voltage Residual ripple	At the front (removable 2-pole terminal strip with Push-In technology) DC 24 V +25/-20 % SELV 5 %
Current consumption	Max. 350 mA (at DC 19.2 V) Current consumption of lined-up modules also has to be considered (see „Hardware configuration“ in the setup program)!
Power consumption	Max. 7 W
Conductor cross section (voltage supply) Wire or strand without ferrule Strand with ferrule 2 x strand with twin ferrule with plastic collar	Min. 1.5 mm <sup>2</sup> , max. 2.5 mm <sup>2</sup> Min. 1.5 mm <sup>2</sup> , max. 2.5 mm <sup>2</sup> 1.5 mm <sup>2</sup>
Stripping length	10 mm
Electrical safety	Acc. to EN 61010-1 Overvoltage category III, pollution degree 2
Electromagnetic compatibility Interference emission Interference immunity	Acc. to EN 61326-1 Class A – only for industrial use – To industrial requirements

**JUMO GmbH & Co. KG**

Delivery address: Mackenrodtstraße 14  
36039 Fulda, Germany  
Postal address: 36035 Fulda, Germany  
Phone: +49 661 6003-0  
Fax: +49 661 6003-607  
E-mail: mail@jumo.net  
Internet: www.jumo.net

**JUMO Instrument Co. Ltd.**

JUMO House  
Temple Bank, Riverway  
Harlow, Essex CM20 2DY, UK  
Phone: +44 1279 635533  
Fax: +44 1279 635262  
E-mail: sales@jumo.co.uk  
Internet: www.jumo.co.uk

**JUMO Process Control, Inc.**

6733 Myers Road  
East Syracuse, NY 13057, USA  
Phone: 315-437-5866  
1-800-554-5866  
Fax: 315-437-5860  
E-mail: info.us@jumo.net  
Internet: www.jumousa.com



Data backup	Buffered RAM
Buffer battery service life	Approx. 10 years (Lithium battery)

**Case and ambient conditions**

Case type	Metal case for DIN rail mounting in the control cabinet (indoor use); DIN rail acc. to DIN EN 60715, 35 mm x 7.5 mm x 1 mm
Dimensions (W x H x D)	135 mm x 101 mm x 67.1 mm (without connection elements)
Weight (fully equipped)	Approx. 670 g
Protection type	IP20, acc. to DIN EN 60529
Ambient temperature range	-20 to +55 °C
Storage temperature range	-40 to +70 °C
Resistance to climatic conditions	Relative humidity ≤ 90 % annual average without condensation (climatic class 3K3 acc. to DIN EN 60721-3-3 with extended temperature and humidity range)
Site altitude	Up to 2000 m above sea level
Mechanical ambient conditions <sup>a</sup>	Classification acc. to DIN EN 60721-3-3, table 6, class 3M2

<sup>a</sup> Test conditions are listed in the System Descripton B 705000.8.

**Approval/approval marks**

Approval mark	Testing agency	Certificate/certification number	Inspection basis	Valid for
c UL us	Underwriters Laboratories	E201387	UL 61010-1 (3. Ed.), CAN/CSA-22.2 No. 61010-1 (3. Ed.)	all types

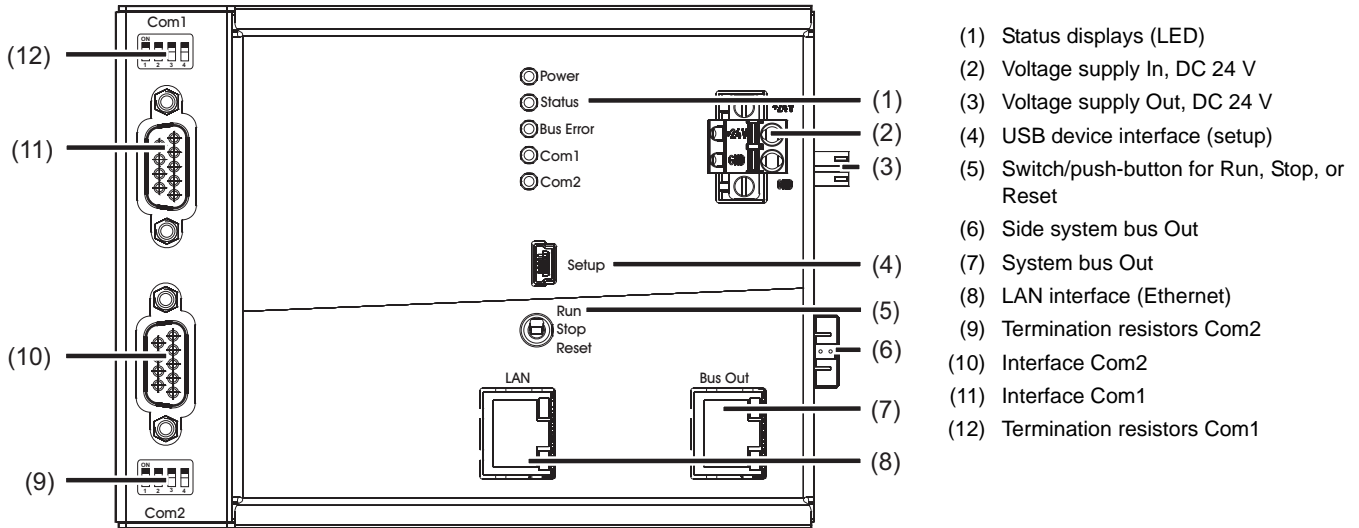
**JUMO GmbH & Co. KG**  
 Delivery address: Mackenrodtstraße 14  
 36039 Fulda, Germany  
 Postal address: 36035 Fulda, Germany  
 Phone: +49 661 6003-0  
 Fax: +49 661 6003-607  
 E-mail: mail@jumo.net  
 Internet: www.jumo.net

**JUMO Instrument Co. Ltd.**  
 JUMO House  
 Temple Bank, Riverway  
 Harlow, Essex CM20 2DY, UK  
 Phone: +44 1279 635533  
 Fax: +44 1279 635262  
 E-mail: sales@jumo.co.uk  
 Internet: www.jumo.co.uk

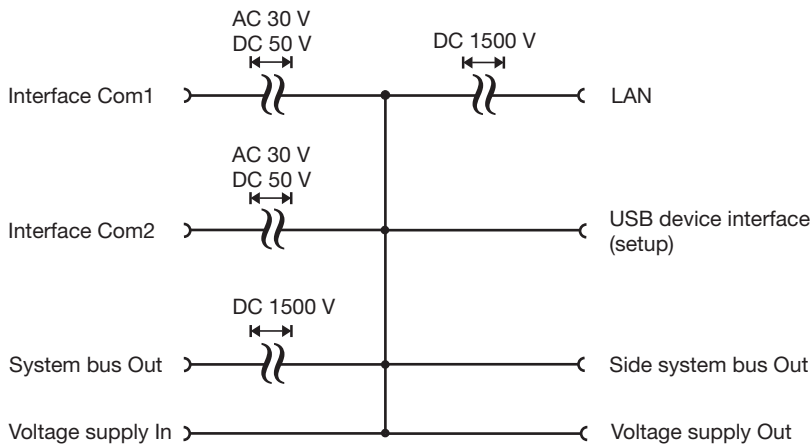
**JUMO Process Control, Inc.**  
 6733 Myers Road  
 East Syracuse, NY 13057, USA  
 Phone: 315-437-5866  
 1-800-554-5866  
 Fax: 315-437-5860  
 E-mail: info.us@jumo.net  
 Internet: www.jumousa.com



## Display, operating, and connection elements



## Electrical isolation



**JUMO GmbH & Co. KG**  
 Delivery address: Mackenrodtstraße 14  
 36039 Fulda, Germany  
 Postal address: 36035 Fulda, Germany  
 Phone: +49 661 6003-0  
 Fax: +49 661 6003-607  
 E-mail: mail@jumo.net  
 Internet: www.jumo.net

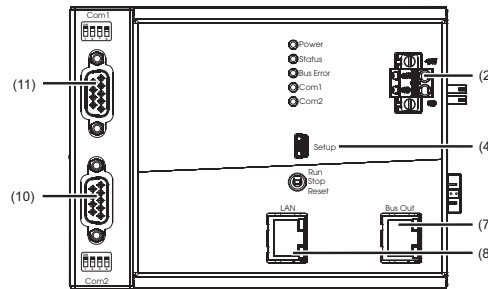
**JUMO Instrument Co. Ltd.**  
 JUMO House  
 Temple Bank, Riverway  
 Harlow, Essex CM20 2DY, UK  
 Phone: +44 1279 635533  
 Fax: +44 1279 635262  
 E-mail: sales@jumo.co.uk  
 Internet: www.jumo.co.uk

**JUMO Process Control, Inc.**  
 6733 Myers Road  
 East Syracuse, NY 13057, USA  
 Phone: 315-437-5866  
 1-800-554-5866  
 Fax: 315-437-5860  
 E-mail: info.us@jumo.net  
 Internet: www.jumousa.com



## Connection diagram

The connection diagram included in the data sheet provides initial information about the connection options. Only use the installation instructions or the operating manual for the electrical connection. The know-how and the correct technical implementation of the safety warnings/instructions contained in these documents are the prerequisite for the installation, electrical connection, and initial start as well as for the safety during operation.



## Interfaces

Connection	Designation	Number	Connection element	
USB device	Setup	(4)		
System bus Out	Bus Out	(7)		1 TX+ 2 TX- 3 RX+ 6 RX- Transmit data + Transmit data - Receive data + Receive data -
Ethernet	LAN	(8)		1 TX+ 2 TX- 3 RX+ 6 RX- Transmit data + Transmit data - Receive data + Receive data -
Serial interface (RS232), option	Com1, Com2	(11), (10)		2 RxD 3 TxD 5 GND Receive data Transmit data Ground
Serial interface (RS422), option	Com1, Com2	(11), (10)		3 TxD+ 4 RxD+ 5 GND 8 TxD- 9 RxD- Transmit data + Receive data + Ground Transmit data - Receive data -
Serial interface (RS485), option	Com1, Com2	(11), (10)		3 TxD+/RxD+ 5 GND 8 TxD-/RxD- Transmit/Receive data + Ground Transmit/Receive data -

## Voltage supply

Connection	Designation	Number	Symbol and terminal designation
Voltage supply In	+24 V and GND	(2)	

**JUMO GmbH & Co. KG**

Delivery address: Mackenrodtstraße 14  
36039 Fulda, Germany  
Postal address: 36035 Fulda, Germany  
Phone: +49 661 6003-0  
Fax: +49 661 6003-607  
E-mail: mail@jumo.net  
Internet: www.jumo.net

**JUMO Instrument Co. Ltd.**

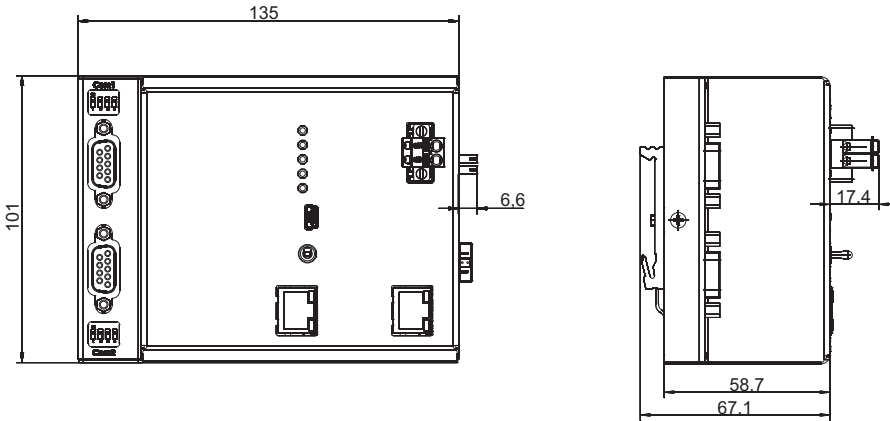
JUMO House  
Temple Bank, Riverway  
Harlow, Essex CM20 2DY, UK  
Phone: +44 1279 635533  
Fax: +44 1279 635262  
E-mail: sales@jumo.co.uk  
Internet: www.jumo.co.uk

**JUMO Process Control, Inc.**

6733 Myers Road  
East Syracuse, NY 13057, USA  
Phone: 315-437-5866  
1-800-554-5866  
Fax: 315-437-5860  
E-mail: info.us@jumo.net  
Internet: www.jumousa.com



## Dimensions



## Module overview

### Base units

- Central processing unit  
Data sheet 705001

### Input/output modules

- Multichannel controller module  
Data sheet 705010
- Relay module 4-channel  
Data sheet 705015
- Analog input module 4-channel  
Data sheet 705020
- Analog input module 8-channel  
Data sheet 705021
- Digital input/output module 12-channel  
Data sheet 705030

### Special modules

- Router module  
Data sheet 705040

### Operating, visualization, recording

- Multifunction panel 840  
Data sheet 705060

### Power supply units

- 705090/05-33  
Data sheet 705090
- 705090/10-33  
Data sheet 705090

**JUMO GmbH & Co. KG**

Delivery address: Mackenrodtstraße 14  
36039 Fulda, Germany  
Postal address: 36035 Fulda, Germany  
Phone: +49 661 6003-0  
Fax: +49 661 6003-607  
E-mail: mail@jumo.net  
Internet: www.jumo.net

**JUMO Instrument Co. Ltd.**

JUMO House  
Temple Bank, Riverway  
Harlow, Essex CM20 2DY, UK  
Phone: +44 1279 635533  
Fax: +44 1279 635262  
E-mail: sales@jumo.co.uk  
Internet: www.jumo.co.uk

**JUMO Process Control, Inc.**

6733 Myers Road  
East Syracuse, NY 13057, USA  
Phone: 315-437-5866  
1-800-554-5866  
Fax: 315-437-5860  
E-mail: info.us@jumo.net  
Internet: www.jumousa.com



## Order details

<b>(1) Basic type</b>	
705001	Central processing unit (1x Ethernet (RJ45), 1x system bus (RJ45), 1x system bus (E-Bus), monitoring of 64 limit values)
<b>(2) Basic type extension</b>	
0	Standard
<b>(3) Version</b>	
8	With factory settings
<b>(4) Interface Com1</b>	
00	Not used
51	RS232 Modbus RTU
54	RS422/485 Modbus RTU
<b>(5) Interface Com2</b>	
00	Not used
51	RS232 Modbus RTU
54	RS422/485 Modbus RTU
<b>(6) Voltage supply</b>	
36	DC 24 V +25/-20 %
<b>(7) Extra codes</b>	
000	Without extra code
214	Math/logic function (activation for all connected controller modules)
224	PLC acc. to IEC 61131-3 (CODESYS V3)
225	Program generator 1 to 9

Order code            (1)            (2) (3)            (4)            (5)            (6)            (7)  
 Order example        705001 / 0 8 - 00 - 00 - 36 / 214 , ...<sup>a</sup>

<sup>a</sup> List extra codes in sequence, separated by a comma.

## Delivery package

1 central processing unit in the ordered version
1 cover for system bus
2 screw-on end clamps for DIN rail
1 Installation Instructions B 705001.4
1 MiniDVD with setup program (demo version), programming software CODESYS V3 and detailed documentation

## Accessories

Article	Part no.
Interface modules (expansion boards):	
RS232 Modbus RTU	00569505
RS422/485 Modbus RTU	00569506
Extra codes (activations):	
Math/logic module (activation for all connected controller modules)	00569509
PLC according to IEC 61131-3 (CODESYS V3)	00569510
Program generator 1 to 9	00569511



**JUMO GmbH & Co. KG**

Delivery address: Mackenrodtstraße 14  
36039 Fulda, Germany  
Postal address: 36035 Fulda, Germany  
Phone: +49 661 6003-0  
Fax: +49 661 6003-607  
E-mail: mail@jumo.net  
Internet: www.jumo.net

**JUMO Instrument Co. Ltd.**

JUMO House  
Temple Bank, Riverway  
Harlow, Essex CM20 2DY, UK  
Phone: +44 1279 635533  
Fax: +44 1279 635262  
E-mail: sales@jumo.co.uk  
Internet: www.jumo.co.uk

**JUMO Process Control, Inc.**

6733 Myers Road  
East Syracuse, NY 13057, USA  
Phone: 315-437-5866  
1-800-554-5866  
Fax: 315-437-5860  
E-mail: info.us@jumo.net  
Internet: www.jumousa.com



## General accessories

Article	Part no.
JUMO mTRON T system manual, English	00575577
MiniDVD with setup program (full version), programming software CODESYS V3, and detailed documentation; incl. USB cable	00569494
PC Evaluation Software PCA3000	00431882
Release automatic print for PC Evaluation Software PCA3000	00505548
PCA Communication Software PCC	00431879
Plant Visualization Software JUMO SVS3000: See data sheet 700755	-
USB cable A-plug mini-B-plug 3 m	00506265